



CAFE RACER CONFIGURATOR



TECHNICAL SPECS

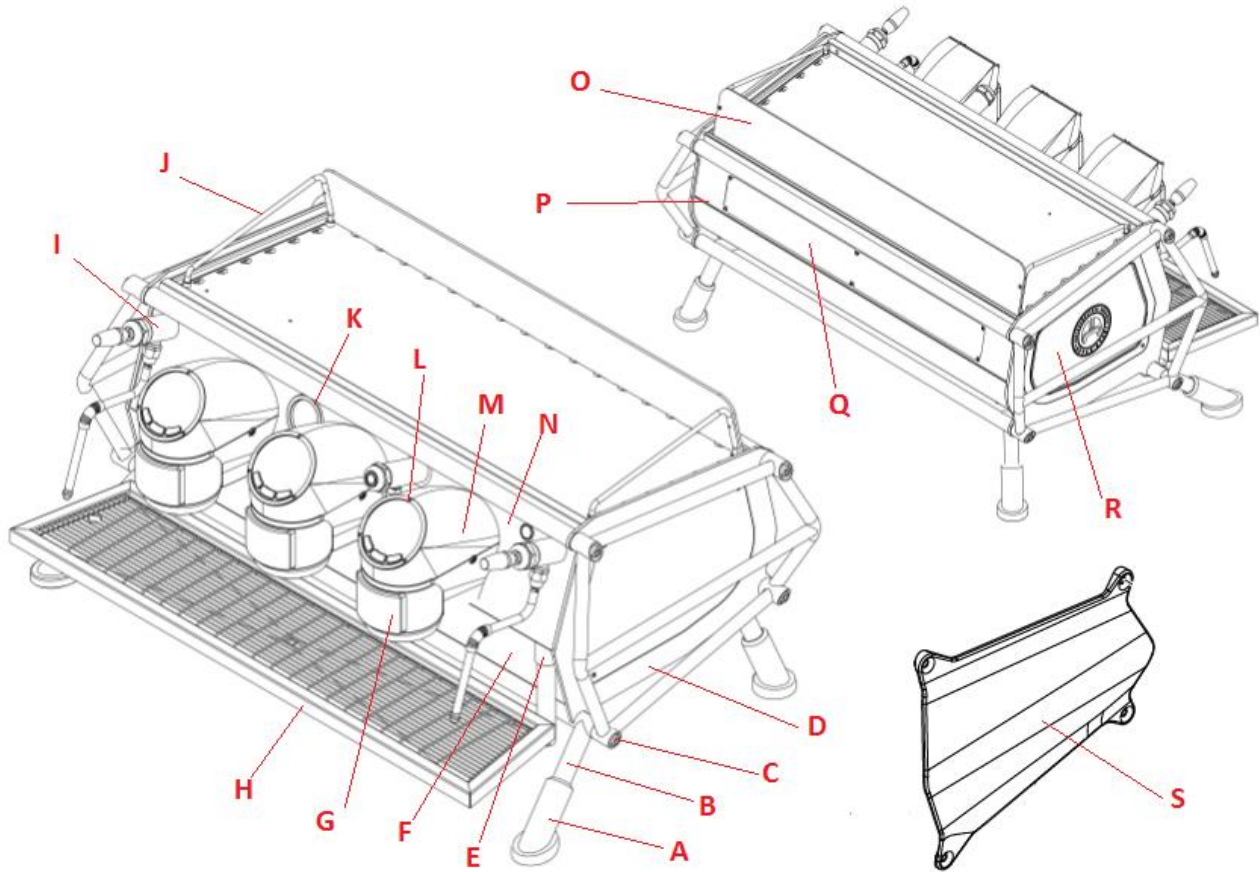
Description	Possible choice		
Groups	<input type="checkbox"/> 2 groups	<input type="checkbox"/> 3 groups	
Supply voltage	<input type="checkbox"/> 220-240V 1N	<input type="checkbox"/> 380-415V 3N	
Pump	<input type="checkbox"/> Internal	<input type="checkbox"/> External	
Steam boiler Wattage	<input type="checkbox"/> Standard	<input type="checkbox"/> Enhanced	
Steam nozzle	<input type="checkbox"/> Standard	<input type="checkbox"/> High power	
Portafilters	<input type="checkbox"/> Standard	<input type="checkbox"/> Bottomless	

STANDARD VERSIONS

Model	Possible choice		
Naked	<input type="checkbox"/> Black Black	<input type="checkbox"/> Steel Black	
	<input type="checkbox"/> Black Red	<input type="checkbox"/> Steel Red	
Freedom	<input type="checkbox"/> Black Black	<input type="checkbox"/> Steel Black	
	<input type="checkbox"/> Black Red	<input type="checkbox"/> Steel Red	
Side panels:	<input type="checkbox"/> P1 (Light blue)	<input type="checkbox"/> P2 (Brown)	
	<input type="checkbox"/> P3 (Grey)	<input type="checkbox"/> P4 (Red)	
Renegade	<input type="checkbox"/> With bags	<input type="checkbox"/> Without bags	
Dolomiti	<input type="checkbox"/> With bags	<input type="checkbox"/> Without bags	
White & Wood	<input type="checkbox"/> Standard	<input type="checkbox"/> Slim	
Custom models	<input type="checkbox"/> Racing		
	<input type="checkbox"/> Moto di Ferro		
	<input type="checkbox"/> Black & White		
	<input type="checkbox"/> Full White		

Additional requests:	
----------------------	--

CUSTOMIZED AESTHETICS



Please choose one color/style for each part

Part	Description	Possible choice		
A	Foot Cover	<input type="checkbox"/> Dark Chrome	<input type="checkbox"/> Matt Black	<input type="checkbox"/> Red
		<input type="checkbox"/> White	<input type="checkbox"/> Bronze	<input type="checkbox"/> Wood
		<input type="checkbox"/> Personalized		
B	Tubular Frame	<input type="checkbox"/> Black	<input type="checkbox"/> Wrinkled green	<input type="checkbox"/> Silver
		<input type="checkbox"/> White	<input type="checkbox"/> Red	<input type="checkbox"/> Personalized
C	Frame Screws	<input type="checkbox"/> Red	<input type="checkbox"/> Dark Chrome	<input type="checkbox"/> Brass
		<input type="checkbox"/> Steel	<input type="checkbox"/> Personalized	
D	Side Panel	<input type="checkbox"/> Black	<input type="checkbox"/> Wrinkled green	<input type="checkbox"/> Silver
		<input type="checkbox"/> White		
E	Drip Tray Support	<input type="checkbox"/> Steel	<input type="checkbox"/> Brass	<input type="checkbox"/> Black
F	Lower Front Panel	<input type="checkbox"/> Black Satin	<input type="checkbox"/> Steel	<input type="checkbox"/> White
		<input type="checkbox"/> Brass	<input type="checkbox"/> Carbon	<input type="checkbox"/> Personalized
G	Group Cover	<input type="checkbox"/> Black	<input type="checkbox"/> Brass	<input type="checkbox"/> White
		<input type="checkbox"/> Wood	<input type="checkbox"/> Personalized	
H	Drip Tray	<input type="checkbox"/> Steel	<input type="checkbox"/> Copper	<input type="checkbox"/> White



CAFE RACER CONFIGURATOR



		<input type="checkbox"/> Matt Black		
I	Steam tap and hot water spout Cover	<input type="checkbox"/> Steel	<input type="checkbox"/> Brass	
J	Cup Holder Pipe	<input type="checkbox"/> Steel	<input type="checkbox"/> Brass	
K	Main Display Ring	<input type="checkbox"/> Red	<input type="checkbox"/> Dark Chrome	<input type="checkbox"/> Brass
		<input type="checkbox"/> White	<input type="checkbox"/> Personalized	
L	Group Display Ring	<input type="checkbox"/> Red	<input type="checkbox"/> Dark Chrome	<input type="checkbox"/> Brass
		<input type="checkbox"/> White	<input type="checkbox"/> Personalized	
M	Group Carter	<input type="checkbox"/> Matt Black	<input type="checkbox"/> Wrinkled green	<input type="checkbox"/> White
		<input type="checkbox"/> Personalized		
N	Upper Front Panel	<input type="checkbox"/> Black Satin	<input type="checkbox"/> Steel	<input type="checkbox"/> White
		<input type="checkbox"/> Copper	<input type="checkbox"/> Carbon	<input type="checkbox"/> Personalized
O	Cup Holder	<input type="checkbox"/> Transparent	<input type="checkbox"/> Bronze	<input type="checkbox"/> Wood
P	Rear Panel	<input type="checkbox"/> Black Satin	<input type="checkbox"/> Steel	<input type="checkbox"/> White
		<input type="checkbox"/> Copper	<input type="checkbox"/> Carbon	<input type="checkbox"/> Personalized
Q	Rear Window	<input type="checkbox"/> Transparent	<input type="checkbox"/> Brown (P2)	<input type="checkbox"/> Grey (P3)
		<input type="checkbox"/> Light Blue (P1)	<input type="checkbox"/> Red (P4)	<input type="checkbox"/> Black
		<input type="checkbox"/> Personalized		
R	Side Window	<input type="checkbox"/> Transparent	<input type="checkbox"/> Brown (P2)	<input type="checkbox"/> Grey (P3)
		<input type="checkbox"/> Light Blue (P1)	<input type="checkbox"/> Red (P4)	<input type="checkbox"/> Black
		<input type="checkbox"/> Personalized		
S	Leather Side (OPTIONAL)	<input type="checkbox"/> None	<input type="checkbox"/> Brown	<input type="checkbox"/> Black
	Bags	<input type="checkbox"/> With brown bags	<input type="checkbox"/> With black bags	<input type="checkbox"/> Without bags
-	Steam boiler cover	<input type="checkbox"/> Black	<input type="checkbox"/> Red	<input type="checkbox"/> Personalized
	Portafilters (handle)	<input type="checkbox"/> Black rubber	<input type="checkbox"/> Wood and white	<input type="checkbox"/> Wood and bronze
	Portafilters set	<input type="checkbox"/> Standard	<input type="checkbox"/> With added bottomless PF	

Note:

“Personalized” could be a specific RAL code paint for parts: A, B, C, F, G, K, L, M, N, P (must be communicated to Sanremo) while parts Q and R can be personalized with customer’s logo